

OPTIVALU® Downlight Datasheet



CE (CCC) IP20

OPTIVALU® Downlight series is an energy-saving solution for office and commercial spaces. With a variety of power and size options, it can easily satisfy different concepts and delivers outstanding lighting experience. High ROI, high efficacy and long lifetime, OPTIVALU® Downlight series is an ideal replacement for CFL downlights.

Benefits

Comfortable lighting experience

- Wide cut-off angle
- Good uniformity thanks to superior reflector and diffuser design

High adaptability

- Variety of power and size options

High ROI, ideal CFL replacement

- Up to 100 lm/W
- 50,000hrs lifetime
- 1.2mm thick metal housing

Applications

- Offices
- Commercial buildings
- Retail stores
- Shopping Malls
- Lobbies and corridors

OPTIVALU® Downlight

Technical Data

Optical Specifications

		4"	6"		8"	
Luminous Flux	3000K	750 lm	1100 lm	1400 lm	2000 lm	2800 lm
	4000K	850 lm	1200 lm	1600 lm	2100 lm	3000 lm
	5700K	850 lm	1200 lm	1600 lm	2100 lm	3000 lm
	6500K	850 lm	1200 lm	1600 lm	2100 lm	3000 lm
Efficacy	3000K	85 lm/W	90 lm/W	95 lm/W	95 lm/W	95 lm/W
	4000K	95 lm/W	100 lm/W	100 lm/W	100 lm/W	100 lm/W
	5700K	95 lm/W	100 lm/W	100 lm/W	100 lm/W	100 lm/W
	6500K	95 lm/W	100 lm/W	100 lm/W	1000 lm/W	100 lm/W
CCT		3000K, 4000K, 5700K, 6500K				
CRI		83				
SDCM		≤4				
Cutoff Angle		16°				
Beam Angle		90°				

Electrical and Mechanical Specifications

Input Voltage	220-240V AC 50/60Hz				
Power Consumption	9W	12W	16W	21W	30W
Power Factor	0.95				
Surge Protection	Line-to-line 1.5KV, line-to-ground 3KV				
Total Harmonic Distortion	20%				
Dimensions (ØD × H)	117mm × 88mm	167mm × 100mm	167mm × 100mm	217mm × 110mm	217mm × 110mm
Weight	0.18kg	0.27kg	0.27kg	0.37kg	0.37kg
Cover Lens	PC diffuser				
Housing	Aluminium housing (1.2mm thickness)				

System Specifications

Power	AC line				
Dimmable	ON/OFF only				
Installation Height	100mm	110mm	110mm	120mm	120mm
Mounting Hole	105mm	150mm	150mm	200mm	200mm
Suitable Ceiling Thickness	2 to 20mm				
Operating Temperature	-20°C to +40°C				
Storage Temperature	-20°C to +80°C				
Environment	Indoor (IP20)				
Lumen Maintenance	L70 @25°C - 50,000hrs				
Safety Approval	Electrical Protection Class I, CB, CCC, Photo-biological safety, RoHS				

Due to the special conditions of manufacturing process of LED, the typical data of technical parameters can only reflect statistical figures and do not necessarily correspond to the actual parameters of each single product which could differ from typical data.

Exceeding maximum ratings for operation voltage will cause hazardous overload and will likely destroy the LED module.

Exceeding maximum ratings for operation and storage temperature will reduce expected life time or destroy the LED module.

08/16 V1.0 · Specifications are subject to change without notice. Errors and omission excepted, always make sure to use the most recent release.

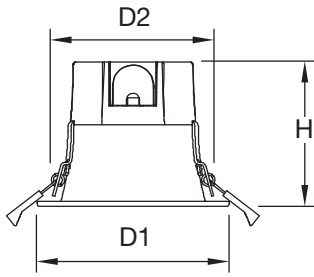
©2016 OSRAM GmbH · All rights reserved · Internet www.lightingsolutions.osram.com/asia

2 of 5

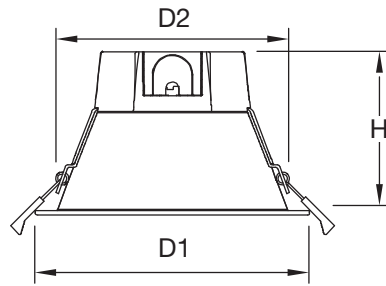
OPTIVALU[®] Downlight

Dimensions

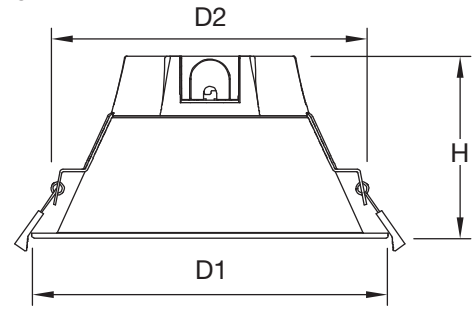
4"



6"



8"



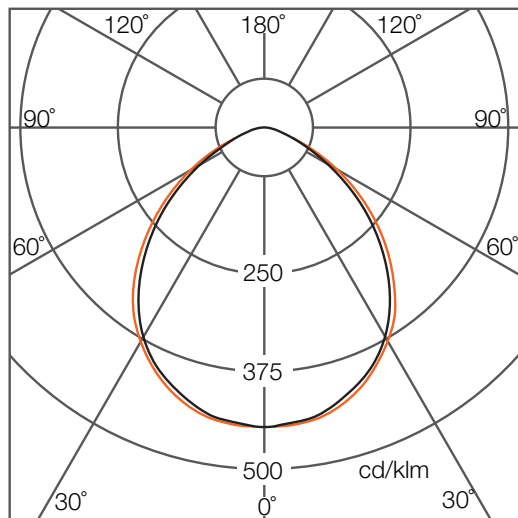
Dimensions

	4"	6"	8"
D1	117mm	167mm	217mm
D2	99mm	142mm	193mm
H	88mm	100mm	110mm

OPTIVALU[®] Downlight

Photometrics

Light Distribution Curve



Illuminance at a distance

	Center Beam Lux/klm	Beam Width	
		V	H
0.5m	1815	1.08m	1.15m
1m	454	2.15m	2.29m
1.5m	202	3.23m	3.44m
2m	113	4.30m	4.59m
2.5m	73	5.38m	5.73m
3m	50	6.46m	6.88m

- Vert. Spread: 94.2°
 - Horiz. Spread: 97.8°
- For fc divide by 10.7

For feet multiply by 3.28

Due to the manufacturing processes of LED, the polar candela distribution and distance luminaries only reflect statistical figures and do not necessarily correspond to the actual parameters of individual product that may differ from the typical values.

OPTIVALU® Downlight

Ordering Codes

Fixture

Short Text	Power	Diameter	CCT	Material	EAN10	EAN40
OPTV DL 409 830 4X1 OSRAM	9W	4"	3000K	AA786650055	4052899259232	4052899259249
OPTV DL 409 840 4X1 OSRAM	9W	4"	4000K	AA786660055	4052899259256	4052899259263
OPTV DL 409 857 4X1 OSRAM	9W	4"	5700K	AA786670055	4052899259270	4052899259287
OPTV DL 409 865 4X1 OSRAM	9W	4"	6500K	AB321720055	4052899263826	4052899263833
OPTV DL 612 830 4X1 OSRAM	12W	6"	3000K	AA786680055	4052899259294	4052899259300
OPTV DL 612 840 4X1 OSRAM	12W	6"	4000K	AA786690055	4052899259317	4052899259324
OPTV DL 612 857 4X1 OSRAM	12W	6"	5700K	AA786700055	4052899259331	4052899259348
OPTV DL 612 865 4X1 OSRAM	12W	6"	6500K	AB321730055	4052899263840	4052899263857
OPTV DL 616 830 4X1 OSRAM	16W	6"	3000K	AA786710055	4052899259355	4052899259362
OPTV DL 616 840 4X1 OSRAM	16W	6"	4000K	AA786720055	4052899259379	4052899259386
OPTV DL 616 857 4X1 OSRAM	16W	6"	5700K	AA786730055	4052899259393	4052899259409
OPTV DL 616 865 4X1 OSRAM	16W	6"	6500K	AB321740055	4052899263864	4052899263871
OPTV DL 821 830 4X1 OSRAM	21W	8"	3000K	AA786740055	4052899259416	4052899259423
OPTV DL 821 840 4X1 OSRAM	21W	8"	4000K	AA786750055	4052899259430	4052899259447
OPTV DL 821 857 4X1 OSRAM	21W	8"	5700K	AA786760055	4052899259454	4052899259461
OPTV DL 821 865 4X1 OSRAM	21W	8"	6500K	AB321750055	4052899263888	4052899263895
OPTV DL 830 830 4X1 OSRAM	30W	8"	3000K	AA786770055	4052899259478	4052899259485
OPTV DL 830 840 4X1 OSRAM	30W	8"	4000K	AA786780055	4052899259492	4052899259508
OPTV DL 830 857 4X1 OSRAM	30W	8"	5700K	AA786790055	4052899259515	4052899259522
OPTV DL 830 865 4X1 OSRAM	30W	8"	6500K	AB321760055	4052899263901	4052899263918